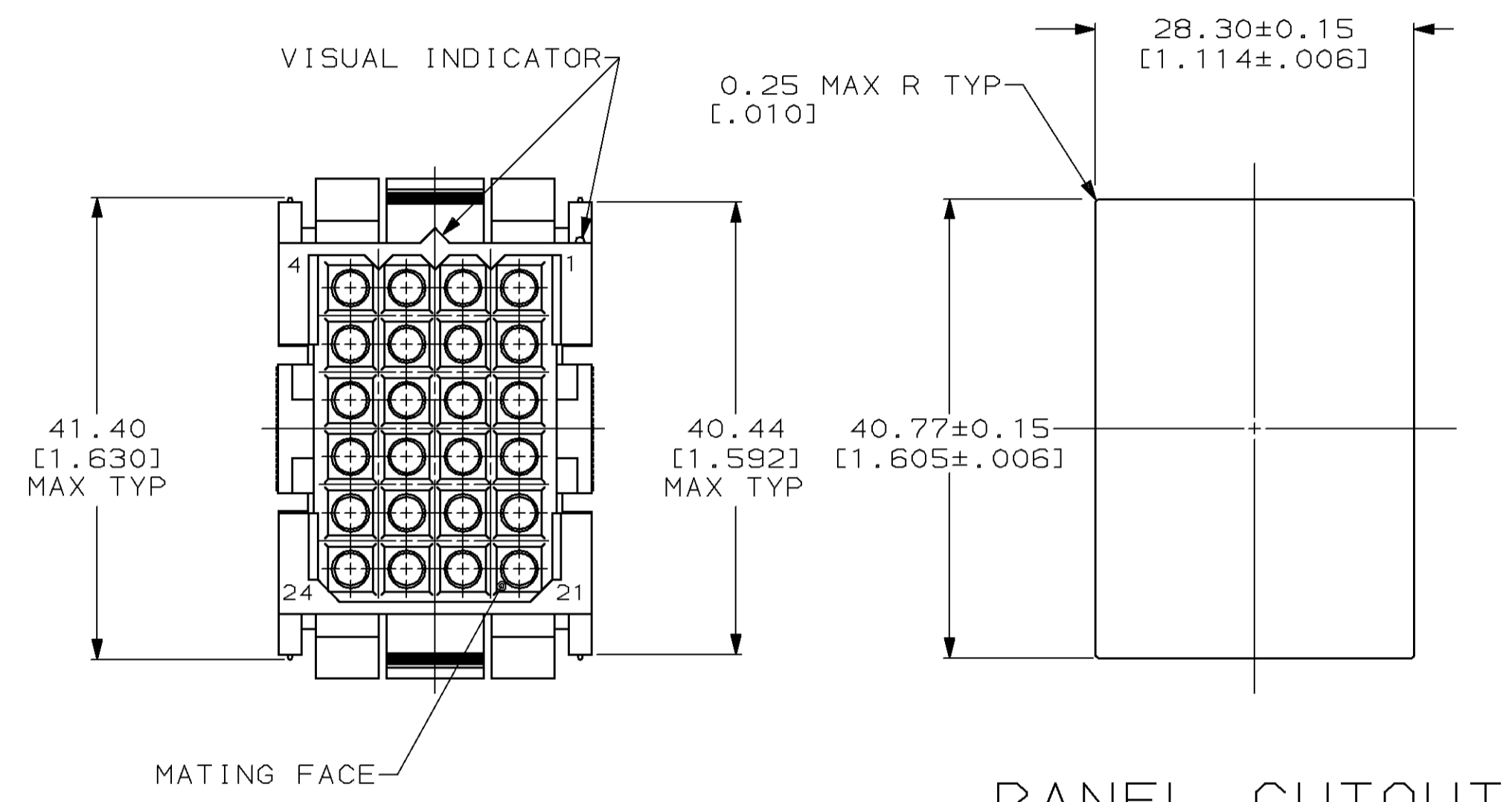
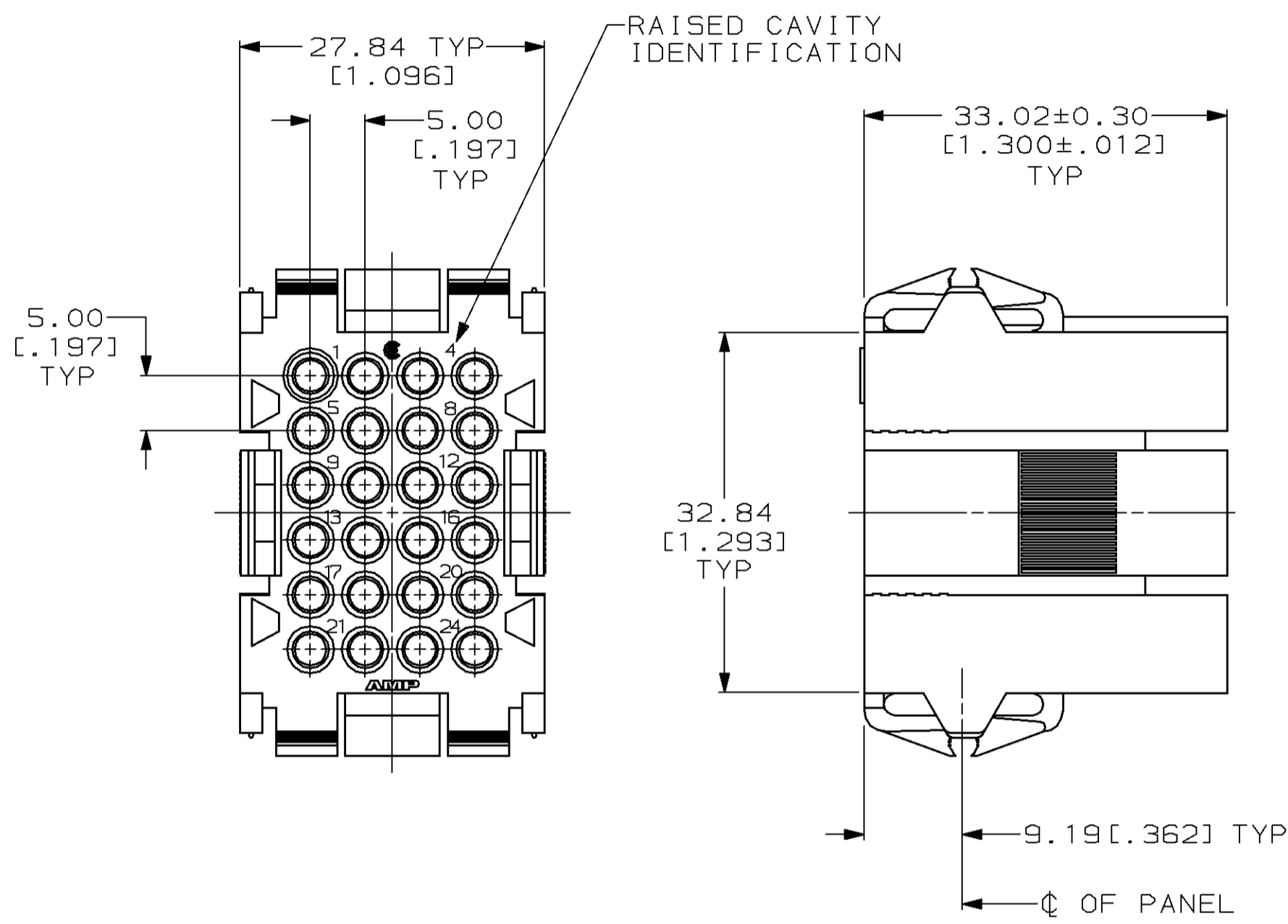


MOD	LOC	DIST	P	F	ZONE	LTR	DESCRIPTION	DATE	APPD
1	BD	37							
						K	REDRAWN WITH NO CHANGE PER ECN BD6668	08/26/92	-
						L	REV PER EC 0020-250-94	03/24/94	AT



1. PANEL RETENTION MECHANISM ACCOMMODATES PANEL THICKNESSES FROM 0.76 [.030] TO 2.29 [.090].

DO NOT SCALE PRINT. UNLESS SPECIFIED DIMENSIONS IN mm [INCHES] TOLERANCES ON : 2 PLC DEC ± 0.25 [.010] 3 PLC DEC ± - ANGLES ± -		DR 08/26/92 W.LENKER	AMP Incorporated Harrisburg, PA 17105-3608		
MATERIAL NYLON, COLOR: RED		CHK 8-31-92 R.STONE			
FINISH -		APPD 9-2-92 A.TRAVIS	NAME HOUSING, RECEPTACLE, 24 POSITION, METRIMATE		
-		APPD 9-3-92 C.ROHDE			
-		PRODUCT SPEC 108-10033	SIZE C	CAGE CODE 00779	DRAWING NO G=207305
-		APPLICATION SPEC -	SCALE 2:1	SHEET 1 OF 1	
-		WEIGHT -	CUSTOMER DRAWING		

THIS DRAWING IS A CONTROLLED DOCUMENT FOR AMP INCORPORATED. IT IS SUBJECT TO CHANGE AND THE CONTROLLING ENGINEERING ORGANIZATION SHOULD BE CONTACTED FOR THE LATEST REVISION.